

Rasonic
樂信牌

RRH-G7E / RRH-G7H

抽油煙機
Range Hood



僅適用於家庭使用
For household use only

使用說明書 OPERATION MANUAL

- 在使用本產品前，請仔細閱讀本說明書，並妥善保存本說明書以備用戶日後查詢。
Please read the operation manual carefully before using and well keep it in a safe place for future reference.
- 本說明書中的圖示可能有與實物不同的地方，僅供參考。
Some figures in this manual may not match with the real object, just for reference only.

Rasonic 樂信牌

信興電工工程有限公司
SHUN HING ELECTRIC WORKS AND ENGINEERING CO., LTD.
辦公室：香港九龍尖沙咀東部麼地道67號半島中心9樓
電話：(852) 2861 2767 圖文傳真：(852) 2865 6706
網址：www.shew.com.hk 電郵：shew@shunhinggroup.com

Office :9/F, Peninsula Centre, 67 Mody Road, Tsim Sha Tsui East, Kln., H.K.
Tel : (852) 2861 2767 Fax : (852) 2865 6706
Website : www.shew.com.hk Email : shew@shunhinggroup.com

保養及維修Maintenance and Repair Service :

信興電器服務中心有限公司
SHUN HING ELECTRIC SERVICE CENTRE LTD.
香港新界葵涌勝耀街2號信興中心11樓
電話：(852) 2406 5666 圖文傳真：(852) 2408 0316
網址：www.shesc.com

Office : 11th Floor, Shun Hing Centre, 2 Shing Yiu Street, Kwai Chung, N.T., H.K.
Tel : (852) 2406 5666 Fax : (852) 2408 0316
Website : www.shesc.com

消耗品/附件銷售熱線：(852) 2406 5666
Consumables/Accessories Sales Hotline : (852) 2406 5666

RRH/G/2512



香港客戶服務中心
香港新界葵涌勝耀街2號信興中心1樓
電話：(852) 2406 5439 傳真：(852) 2408 1389

Hong Kong Customer Service Centres :
1st Floor, Shun Hing Centre, 2 Shing Yiu Street, Kwai Chung, N.T., H.K.
Tel : (852) 2406 5439 Fax : (852) 2408 1389

澳門客戶服務中心
澳門慕拉士大馬路193~199號南嶺工業大廈5樓I座
電話：(853) 2836 2928 傳真：(853) 2833 6405

Macau Customer Service Centres :
Avenida de Venceslao de Morais, No. 193~199, 5 andar - I, Edf.
Industrial Nam Leng, Macau
Tel : (853) 2836 2928 Fax : (853) 2833 6405

有關最新之客戶服務中心資訊，請參閱信興服務中心網址：
www.shesc.com或致電維修服務熱線查詢
For the latest information of customer service centres, please visit
www.shesc.com or call us at our hotline.



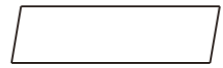
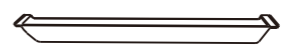

目錄 / APPENDIX

1	安全注意事項 Safety Guide	P2
2	抽油煙機注意事項 Caution for Range Hood	P3
3	安裝原則 Preparation for Installation	P4
4	掛牆式安裝說明 Wall Mount Installation Procedures	P5
	廚櫃式吊裝安裝說明 Cabinet Built-in Installation	P6
5	使用方法 Operation of Your Machine	P7
6	保養及清潔 Maintenance and Cleaning	P8
7	異常狀況之處理 Trouble Shooting	P9
8	圖解 Parts Identification	P10 - P11
9	配線圖 Circuit Diagram	P12
10	性能參數 Specifications	P13
11	附屬零件表 Accessory Part List	P14

11 附屬零件表 / Accessory Part List

★以下零件外觀只作參考示意用，並非按照比例製作。

The parts are subject to actual parts appearance and not in scales, below sketches are for reference only.

項目 Item	名稱 Title	簡圖 Sketch	數量 Quantity	描述 Description
1	風管圈 (6"轉5") Tube Joint (6" to 5")		1	裝於出風口 Mount in the air outlet
2	風管圈 (6"轉6.5") Tube Joint (6" to 6.5")		1	裝於出風口 Mount in the air outlet
3	安裝圖紙 Installation Diagram		1	依圖紙施工及安裝 Construction and installation according to drawings
4	特長油杯 Oil Cup		1	裝於抽油煙機下方 Mount under the range hood
5	膨脹金屬栓 Expansion Anchor Bolts (1/4*2")		2	供抽油煙機安裝用 Use in range hood installation

10 性能參數 / Specifications

型號 Model	RRH-G7H	RRH-G7E
重量 Weight (淨重NW/毛重GW)	12 kg / 14 kg	
機體尺寸 Machine Dimension (寬W x 深D x 高H)	710x515x106mm	
包裝尺寸 Carton Dimension (長L x 寬W x 高H)	770x600x220mm	
額定電壓 Rated Voltage	220V-240V~50Hz	
傳動方式 Rotation	雙馬達 Twin Motors	
出風口徑 Diameter Of Duct Hole	152 毫米 mm	
照明 Illumination	E27 LED Bulb 100-240VAC 10W max. (Length 108mm * Ø60mm)	
耗電量 Power Consumption	325-380W	190-210W
電熱 Heater	135-160W	-

●參數如有更新，將會編進新版說明書中，恕不另行通知。

Please note that technology improvement will be added to the new version of operation manual without prior notices.

1 安全注意事項 / Safety Guide

- 本機使用電源為220V-240V~50Hz。
The hood is for 220V-240V~50Hz only.
- 嚴禁煮食需於鍋內點燃之食品，以免火焰吸入產生危險及燒燬油煙機本體。
Please do not flambe under the range hood, combustion will be exhausted by fan to damage the hood.
- 當本機使用時，請注意安全。
Pay attention while the hood is operating.
- 經常清潔油煙機，以免風扇油垢淤積，導致運轉不順暢。
Clean up your hood frequently to avoid the fan loading too heavy to fail.
- 請勿用水直接沖洗，需以抹布擦拭。
Do not wash the hood by water directly, please mop it by cloth.
- 使用後請保持一分鐘運轉，可強制排出機內殘留油垢，延長使用壽命。
Keep one-minute rotation after use to emit fume and oil inside.
- 烹飪時請同時啟動抽油煙機，防止人體吸入過量油煙，有礙健康。
Please start the hood while cooking to protect your health.
- 烹食時，此產品接近爐面的部份可能會較熱。
Accessible parts may become hot when used with cooking appliances.
- 若電源線有任何損壞，必須由代理商進行更換，以免造成危險。
If the power cord is damaged, it must be replaced by the sole agent in order to avoid a hazard.
- 兒童應該被監督，以確保他們不會玩耍產品。
Children should be supervised to ensure that they do not play with the appliance.
- 兒童不得在無人監督的情況下進行清潔和維護。
Cleaning and user maintenance shall not be made by children without supervision.
- 本產品不預備給體弱、反應遲緩或有精神障礙的人（包括兒童）或對產品缺乏操作經驗和知識的人使用，除非在有適當人員的監督或指導下才能使用，以負責使用者操作上之安全。
This appliance is not intended for use by persons (including children) with reduced physical, sensory or mental capabilities, or lack of experience and knowledge, unless they have been given supervision or instruction concerning use of the appliance by a person responsible for their safety.
- 當油煙機與氣體爐或其他燃料同時使用時，室內應有良好的通風，避免燃燒不完全發生。
There shall be adequate ventilation of the room when the range hood is used at the same time as appliances burning gas or other fuels.
- 沉積在保護網的油垢可能會造成火災。至少每兩週清洗保護網一次。請勿在未安裝保護網之情況下操作本電器。
Grease deposits in the vane guard may catch fire. Clean the vane guard at least every 2 weeks. Never operate the appliance without the vane guard.
- 若不按照說明書執行清潔工作，會有失火之危險。
There is a fire risk if cleaning is not carried out in accordance with the instructions.
- 抽油煙機排出的氣體不應排放到用於排出氣體燃具或其他燃具使用的熱煙管道中。
The air must not be discharged into a flue that is used for exhausting fumes from appliances burning gas or other fuels.
- 爐具或爐架與抽油煙機最低部分之最小距離限制：
當抽油煙機置於氣體爐上，此距離最少為65cm，若氣體爐之安裝說明書規定更大之距離，必須列入考慮。
The minimum distance between the supporting surfaces for the cooking vessels on the hob and the lowest part of the range hood shall be at least 65cm.
- 須按當地法則使廢氣排出。
Local regulation concerning the discharge of air have to be fulfilled.
- 警告！為避免造成觸電危險，更換燈膽時必須先拔掉電源插頭。
WARNING: Ensure that the appliance is switched off before replacing the lamp to avoid the electric shock.
- 切勿在抽油煙機下直接燃點明火。
Do not flambe under the range hood.
- 注意：與烹飪器具一起使用時，可觸及的部件可能會變熱。
CAUTION: Accessible parts may become hot when used with cooking appliances.
- 警告：未依照這些指示安裝螺絲或固定裝置可能會導致電氣危險。
WARNING: Failure to install the screws or fixing device in accordance with these instructions may result in electrical hazards.

2 抽油煙機注意事項 / Caution for Range Hood

★附件備有膨脹金屬栓，建議使用膨脹金屬栓以達致最佳安裝效果。

There are Expansion Anchor Bolts for user selection, it is recommended that Expansion Anchor Bolts are to be used for the best installation result.

★使用前請先確保抽油煙機已根據安裝指示牢固地安裝好。

The range hood should be installed according to installation instruction.

★清洗 Cleaning :

- 清洗前先確保電源關上。

Make sure the power is turned off.

- 為了避免意外發生，請戴上膠手套。

To avoid accident, wear plastic gloves while cleaning.

- 必須使用無泡抽油煙機專用清潔劑進行清潔。

Use the foamless hood cleaner for cleaning process only.

切勿以腐蝕性清潔劑或化學品（如汽油）清洗，以防損壞機身。

Avoid to damage the appliance, do not use any erosive detergent or chemicals (such as gasoline).

- 需要拆下部件進行清潔時，參考使用說明書。

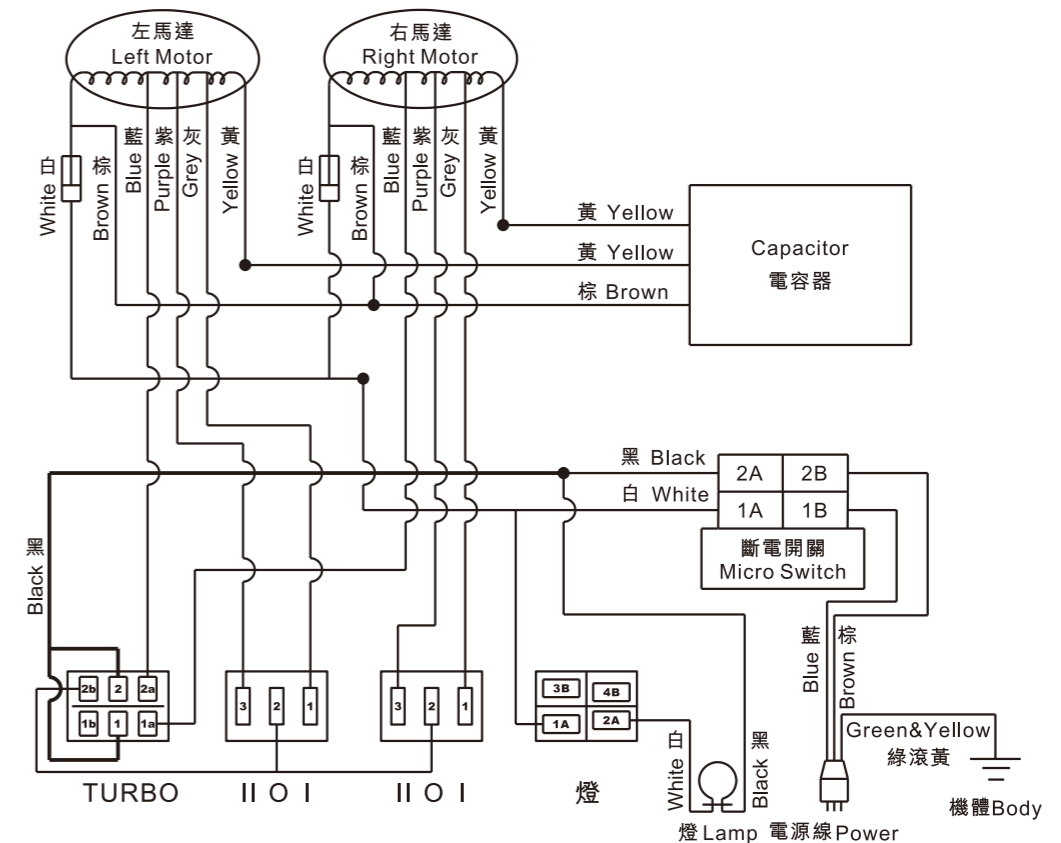
Refer to operation manual when parts should be removed from the range hood for cleaning.

- 當拆卸部件進行清潔時，請小心以防止部件跌下。

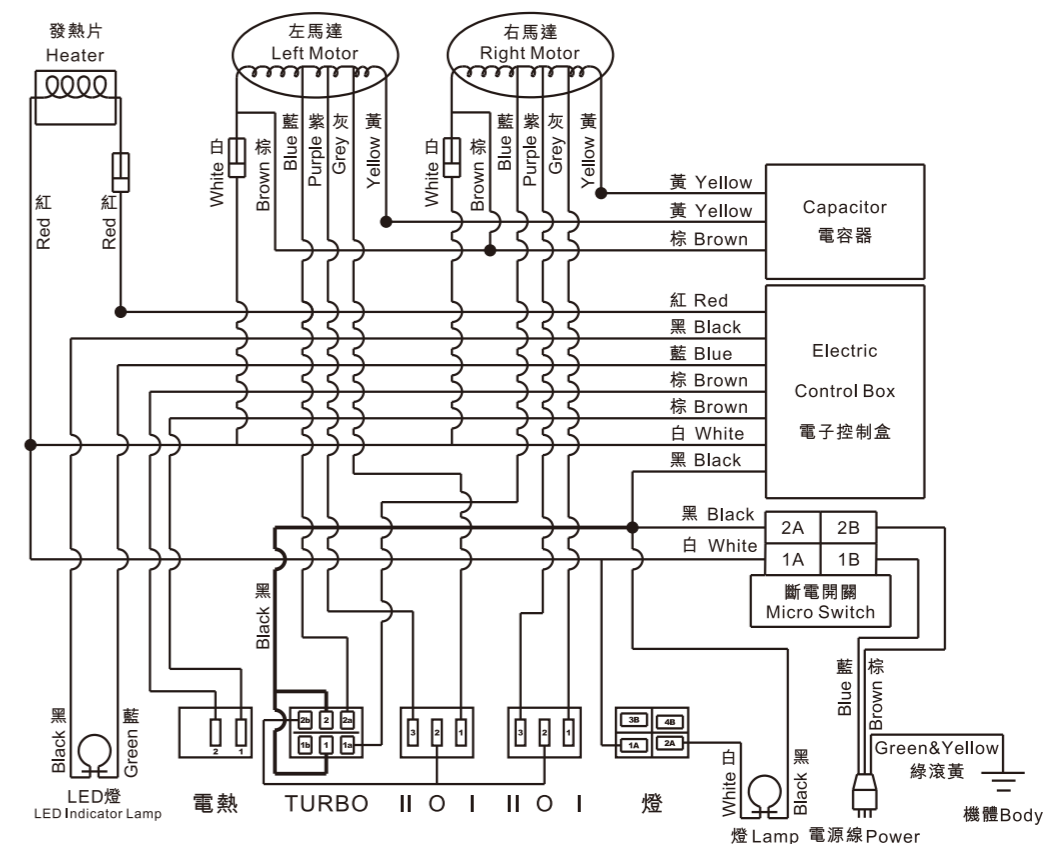
When detaching parts for cleaning, pay extra attention to avoid falling the parts.

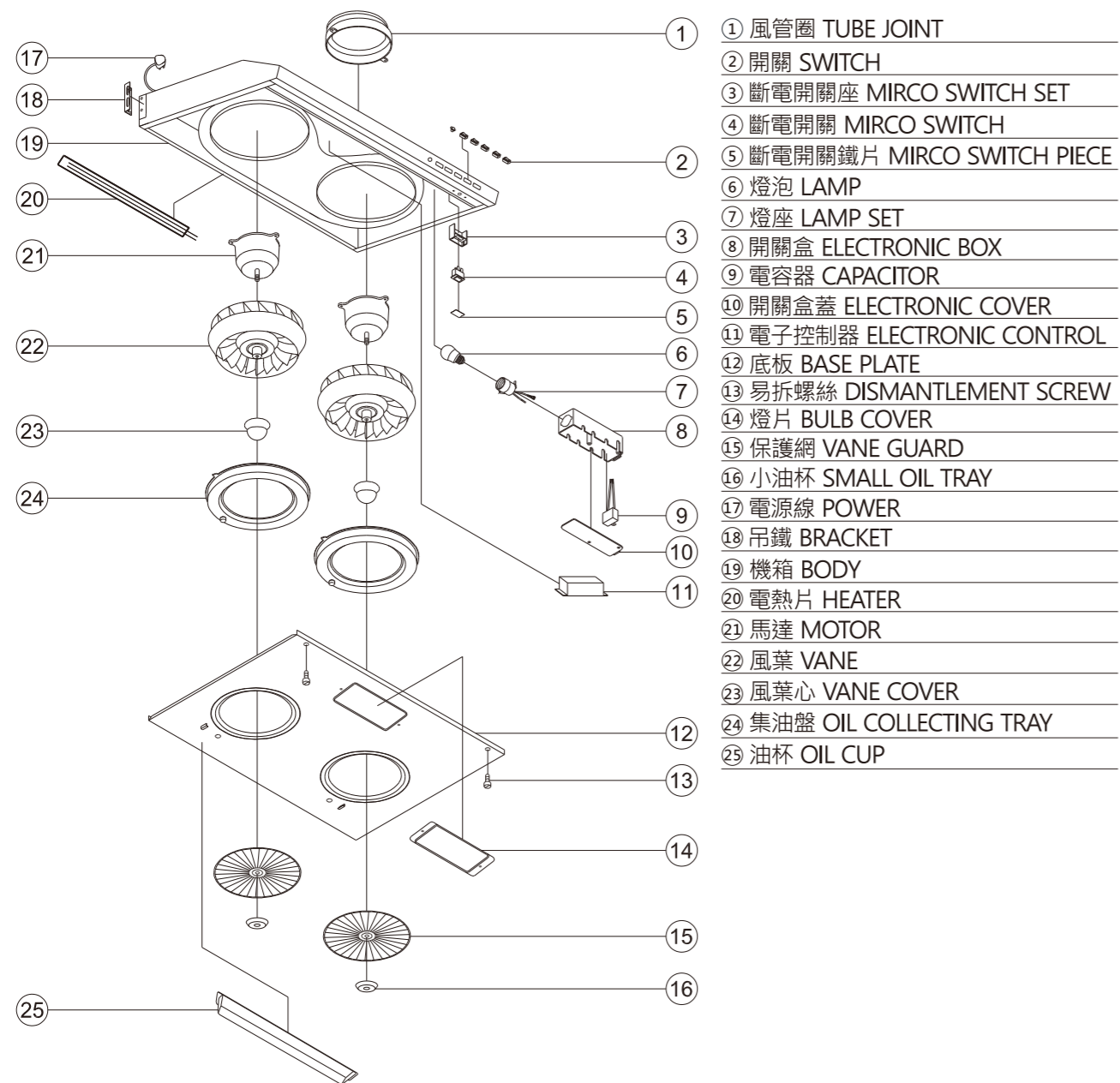
9 配線圖 / Circuit Diagram

RRH-G7E



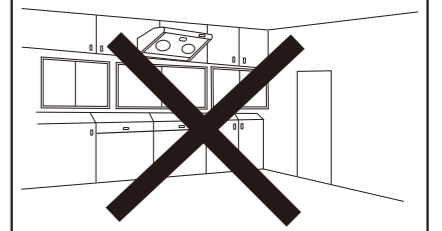
RRH-G7H





1. 抽油煙機安裝之周圍，應避免門窗過多而產生空氣對流太大，則無法發揮其排油排煙之效果。(圖1-1)

Too many windows and doors surrounds machine will cause air convection, worsening good performance of wind-exhaust (Fig1-1).



門窗太多，對流太大
Too many windows and doors would cause convection

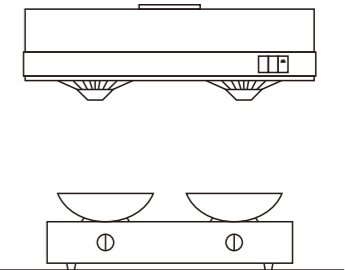
1-1

2. 當抽油煙機與其他煮食爐同時操作時，請保持室內空氣流通。

There shall be adequate ventilation of the room when the range hood is used with appliances burning gas or other fuels at the same time.

3. 抽油煙機應安裝在不超過四個爐灶的爐灶正上方。(圖1-2)

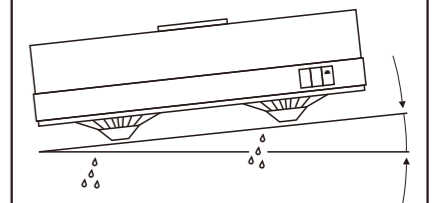
The range hood should be installed over 1 hob with no more than four hob elements (Fig 1-2).



1-2

4. 安裝後之機體不能歪斜應保持水平，否則集油盤(或集油杯)內積油將傾向單邊而溢出機體外。(圖1-3)

After installation, machine shall be kept in horizontal position, otherwise grease in oil collectors (either round or square ones) will be going to lower side and pouring out of collectors (Fig1-3).



保持水平
Keep machine
in horizontal position

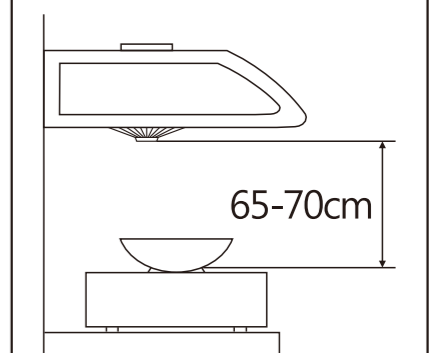
1-3

5. 排風出口至機體之距離，應盡量避免過長，以免氣流擠壓於管內，影響其排風效果。

Distance between exhaust vent and machine shall be suitable in avoiding air flow going inside of pipe to affect good efficiency of wind exhaust.

6. 抽油煙機之安裝高度是以爐面至機體前緣端面之距離，參考高度為65-70cm。(圖1-4)

It's suggested to 65-70cm height between cooking surface and vertical front of machine (Fig1-4).



1-4

7. 排氣管安裝時，不得與其他氣體燃料爐之排放口安裝在同一煙囪之通道內。
Exhaust air must not be discharged into a flue that is used for exhausting fumes from appliances burning gas or other fuels.

4 掛牆式安裝說明 / Wall Mount Installation Procedures

1. 打開紙箱檢視保修卡、說明書、風管座...等附屬配件是否齊全。

Open packing carton to check warranty card, operation manual, pipe adapter and so forth accessories are not lost.

2. 安裝前檢查各項功能之開關是否正常 (馬達運轉、照明)。

Before installation, check every functions of switching are going well condition (such as motor running, illumination).

3. 在已選定的安裝位置上, 以1/4"鑽頭鑽孔, 將膨脹金屬栓塞入孔內, 並於配合吊鐵鑰匙孔之孔位鎖上螺絲。(圖2-1)

Select suitable position for installation, drilling hole on the wall by using 1/4" thread bit and put expansion anchor bolts inside the hole to fit expansion anchor bolts with matching hanging hole (Fig2-1).

4. 調整機體兩側之掛鉤(吊鐵), 將機體懸掛於膨脹金屬栓的螺絲上。(圖2-2)

Adjust hangers of both sides, hang on machine onto expansion anchor bolts (Fig2-2).

5. 懸掛後, 機體要保持一定水平。(安裝原則裡第4項已敘述)

After machine is equipped, always keeps machine body in horizontal status (mentioned in preparation for installation point 4).

6. 排氣管之安裝位置 Installation position of Exhaust Vent :

(1) 排氣管於爐台正對窗戶之安裝 : (圖2-3)

拆除一塊玻璃, 安裝一塊穿有彎管大的合板, 排氣管由此孔穿出, 不得損壞壁面。

Exhaust vent is located in front of cooking surface (Fig2-3).

Knock out one piece of glass, a plywood is fitted to exhaust pipe to go through. Never damage the wall.

(2) 爐台不鄰近窗戶時 Cooking surface is not close to window :

A. 選擇最近爐台, 可通向室外之窗戶, 裝設排氣管穿窗而出。

Select the window is nearest to cooking surface, connect exhaust pipe to go through window to outdoor.

B. 或選最近爐台, 可通向室外之牆壁 (非隔間牆壁) 打洞, 裝設排氣管穿牆而出。

Select the wall is nearest to cooking surface, drill hole on the wall (Non-partition wall) to connect exhaust pipe to outdoor.

※排風管之安裝須適當調整以使廢氣完全排出。

The installation of the exhaust pipe must be properly adjusted to allow exhaust gas to be completely discharged.

7. 鑽穿牆洞 Drill a Hole On The Wall :

(1) 先量好彎管正對牆面位置。

Measuring position of elbow is in front of wall.

(2) 然後在壁面畫好鑽洞範圍, 再使用電鑽鑽穿牆壁。(圖2-4)

Circling the drilling range on the wall, use drill to dig hole. (Fig2-4)

(3) 鑽洞時應要留意牆壁結構和材料, 切勿破壞牆洞以外之壁面。

When drilling hole, be careful of wall construction and material in avoiding to damage other wall surface.

8. 裝設排氣管 Installation of Exhaust Pipe :

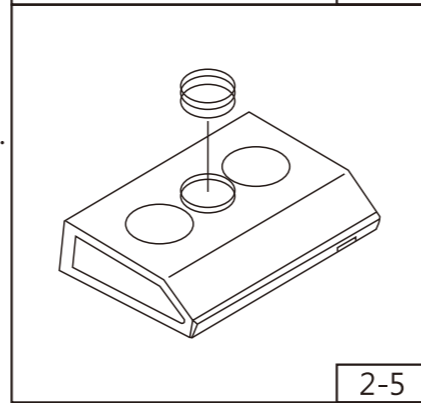
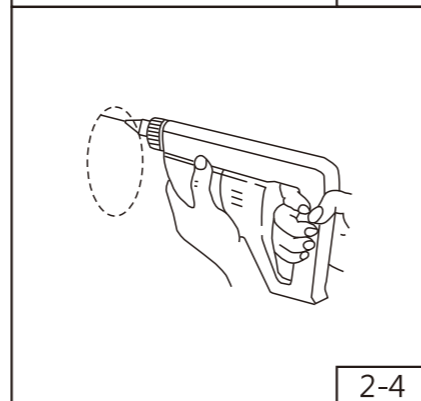
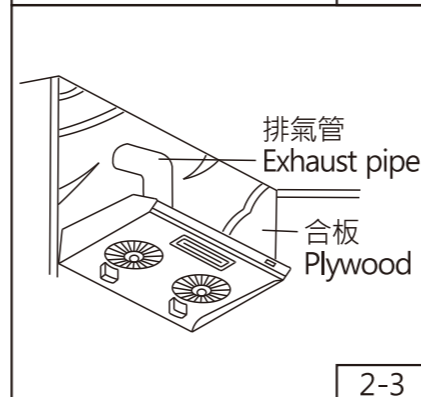
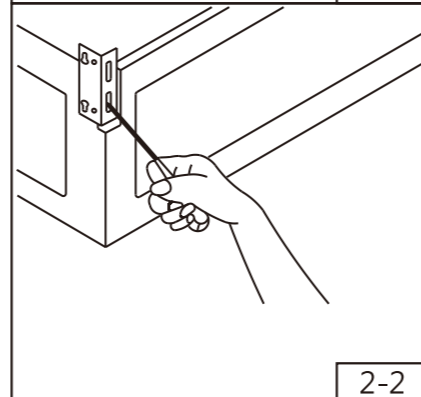
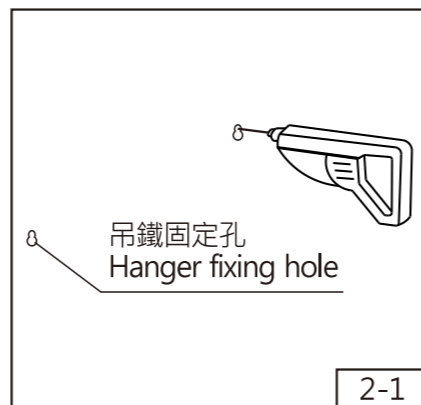
將排氣管之一端套入合適之風管座 (圖2-5), 並將風管座端固定於機體出風口及排氣管另一端固定於排氣孔上。

Insert one side of exhaust pipe to the adapter fitted on the top vent of machine. Then, another side of pipe is fitted to go through exhaust hole.

註: 有關排氣管之裝設, 以上說明僅供參考, 施工需請專業人員處理或洽代理商。

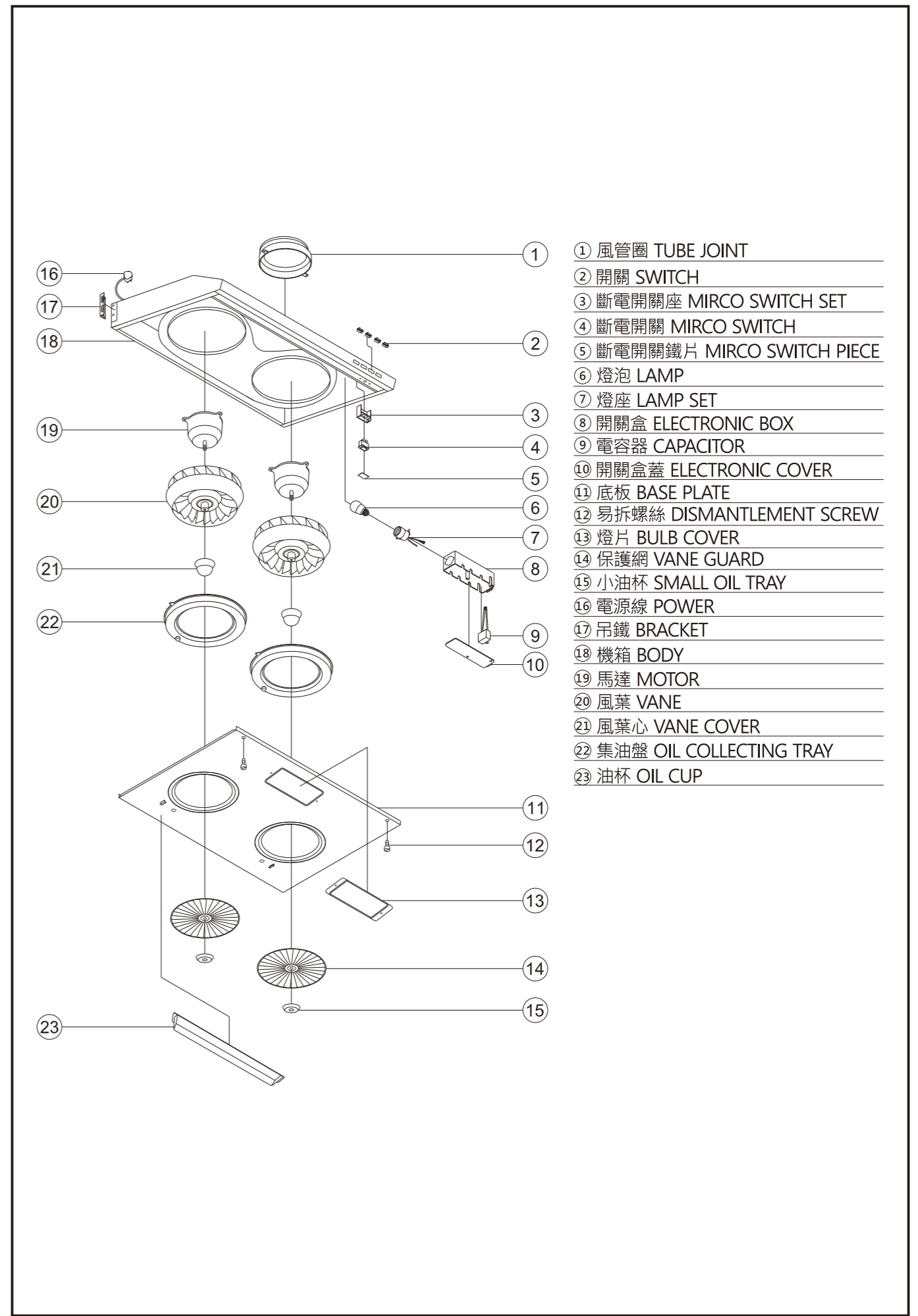
Note and Importance :

All the installation has to be done by a qualified person in accordance with instructions mentioned in this operation manual. Please always contact professionals or dealers if you have any questions.



8 圖解 / Parts Identification

機型 : RRH-G7E



- ① 風管圈 TUBE JOINT
- ② 開關 SWITCH
- ③ 斷電開關座 MIRCO SWITCH SET
- ④ 斷電開關 MIRCO SWITCH
- ⑤ 斷電開關鐵片 MIRCO SWITCH PIECE
- ⑥ 燈泡 LAMP
- ⑦ 燈座 LAMP SET
- ⑧ 開關盒 ELECTRONIC BOX
- ⑨ 電容器 CAPACITOR
- ⑩ 開關盒蓋 ELECTRONIC COVER
- ⑪ 底板 BASE PLATE
- ⑫ 易拆螺絲 DISMANTLEMENT SCREW
- ⑬ 燈片 BULB COVER
- ⑭ 保護網 VANE GUARD
- ⑮ 小油杯 SMALL OIL TRAY
- ⑯ 電源線 POWER
- ⑰ 吊鐵 BRACKET
- ⑱ 機箱 BODY
- ⑲ 馬達 MOTOR
- ⑳ 風葉 VANE
- ㉑ 風葉心 VANE COVER
- ㉒ 集油盤 OIL COLLECTING TRAY
- ㉓ 油杯 OIL CUP

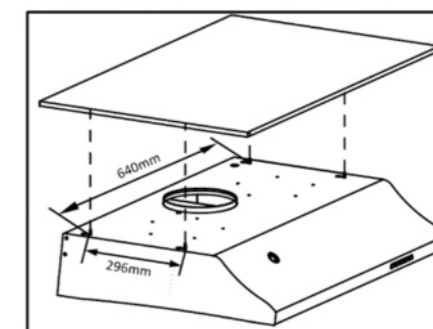
7 異常狀況之處理 / Trouble Shooting

1. 使用中發現異常狀況時，立即將開關電源切掉，並洽請信興電器服務中心有限公司至府上維修。
Be reminded of turning off power supply when trouble is caught, and contact Shun Hing Electric Service Centre Ltd.
2. 處理異常狀況時請將開關電源切掉。
Disconnect the power supply before serving.

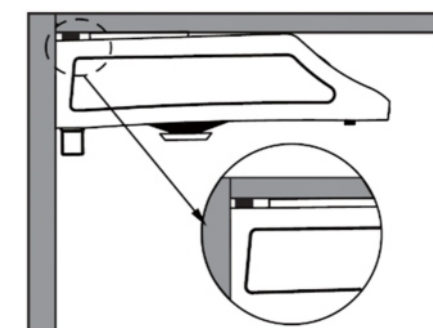
狀況 Status	原因及處置方法 Causes and Methods of Repairing
電源線損壞 Power supply cord is out of order	聯絡信興電器服務中心有限公司 (電話：2406-5666) 至府上維修。 Contact Shun Hing Electric Service Centre Ltd. (Tel: 2406-5666) for repair service.
燈亮馬達不轉 The bulb works but the motor doesn't run	A. 拆下立體濾油網(保護網)，用手轉動風葉，如轉不動，查看風葉是否卡住。若是，請調整風葉。 Remove the vane guard and rotate vane by hand. Check if the vane is stuck, in this case, please adjust vane. B. 如風葉用手輕動皆能運轉自如，則是電容器的問題： If the fan blades can rotate smoothly even if you move them lightly, then it is the capacitor that is causing the problem. 1. 先看啟動線 (黃色電線) 是否脫離電容器 (參考配線圖)。 If the starting wire (yellow one) is disengaged from capacitor (refer to circuit diagram). 2. 啟動線沒脫落，即電容器已損壞，必須更換電容器。 If starting wire is connected well, that capacitor is damaged, replace with a new one. C. 如按下馬達按鈕，馬達稍運轉即停止，而於馬達處可聞到一股燒焦臭味，則為馬達燒毀，必須更換新馬達。 If the motor stops running and has a bad odor after a moment of operation, the motor wires may be burn out, replace the motor.
底板外緣漏油 Oil leaks from the bottom base plate	A. 拆下立體濾油網 (保護網)，查看兩導油盤墊圈與排風室是否密接受當。 Remove vane guard, to check if two wind inlet washers and wind chamber are connected closely. B. 拆下底板，查看排風室外緣與頂板之結合處是否漏油；如是，即用油漆或強力膠予以補填。 Remove base plate to check if the joint of wind chamber and top plate leak oil, if so, fill the leakage part with paint or glue.
機體震動 Machine vibration	A. 查看馬達是否鎖緊。 If the motors were not firmly screwed, screw tighten them up. B. 如馬達已鎖緊，則是風葉受損，不平穩轉動時會產生震動，應更換風葉。 If the vane is damaged or imbalanced, replace with a new one.
吸力不強 Suction becomes weak	A. 抽油煙機與爐面的距離太高。 The distance between range hood and range top is too far away. B. 抽油煙機周圍環境門窗通風多，對流太大。 Too many doors or windows around the hood to cause convection. C. 抽油煙機裝置在窗戶處所導致，最好在抽油煙機後部下方放一塊三夾板，與抽油煙機後部對齊，遮其窗戶之凹處。 If machine is installed in front of window, it is desirable to install a piece of plywood below back side of hood so as to cover the concave area of window. D. 參考安裝原則及安全注意事項進行安裝。 Please refer to the Preparing of Installation and Safety Guides for good installation.
機體裝設歪斜 Machine installed not horizontally	A. 如屬左右歪斜則由吊鐵調整左右高度。 If machine is inclined to lateral side, just adjust hanger kits of both sides to equal height. B. 如屬向前傾斜，則由木螺釘再行鎖入牆壁 (釘身大約 0.5 - 1 公分於壁外)，或查看吊鐵固定於機體的螺絲是否鬆落。 If machine is inclined to forward side, nail wooden screw down to the wall (wooden screw is going out of wall for about 0.5-1cm), or check if screws fitted to hanger kits are loosen or disconnected.

4 廚櫃式吊裝安裝說明 / Cabinet Built-in Installation

1. 建議吊櫃底板的材質厚度要求約為2.5cm-3cm。
It is recommended that the material thickness of the bottom panel of the wall cabinet is about 2.5cm-3cm.



2. 將 1:1 安裝圖紙貼於櫥櫃底部以作確認抽油煙機的安裝位置。
Attach the 1:1 installation diagram to the bottom of the cabinet to confirm the position of the range hood.
3. 按照在 1:1 圖紙上的喉管和電源線出口位置分別開孔，及按紙上螺絲位置，將四顆 1 分半過山螺絲配合介子和螺絲母貫穿櫥櫃底板進行吊裝(過山螺絲,介子和螺母沒有附送)。
According to the screw position of the 1:1 installation diagram make hole opening, fasten 4pcs of mount screw (3/16") with screw caps and gaskets into installation holes (mount screw caps and gaskets not include).
4. 先將電源線穿過櫥櫃底部開孔，跟著把機件頂部掛孔對準先前扭入櫥櫃底的螺絲，然後把機件掛上並向靠牆位置推入。
Pass the power cord through the hole at the bottom of the cabinet, then align the hanging hole on the top of the unit with the screw that was previously screwed into the bottom of the cabinet, then hang the unit and push it against the wall.
5. 跟著以四顆螺絲帽及墊片將螺絲收緊，將機件固定在櫥櫃底部，確認油煙機牢固且不會移動，最後接駁排氣喉管。
Then tighten the screws with four screw caps and gaskets, fix the range hood to the bottom of the cabinet, make sure that the range hood is secure and will not move, and finally connect the exhaust pipe.
6. 在油煙機頂部後方兩端貼上膠墊片來增加約2°斜度，讓油污可流向油杯。
Attach rubber gaskets to both ends of the top of the range hood to increase the slope by about 2° to allow oil to flow to the oil cup.



5 使用方法 / Operation of Your Machine

1. 操作方法如下圖 Please follow the instruction as below :

電熱除油功能於風葉停止運轉時操作，可達到最佳除油效果，LED除油指示燈為閃爍藍光。
Please operate the "Heat function" when the blades stop running to achieve the best oil removal effect.
The signal of LED represents by blue sparkling light.

RRH-G7E					
Turbo速 Turbo	左風扇 Left	右風扇 Right	照明 Light		
開啟on 關閉off	— 低速Low speed ○ 關閉off = 高速High speed	— 低速Low speed ○ 關閉off = 高速High speed	開啟on 關閉off		
RRH-G7H					
LED除油指示燈 LED indicator Lamp	電熱除油 Heat	Turbo速 Turbo	左風扇 Left	右風扇 Right	照明 Light
閃爍藍光 Blue sparkling light	按第一下▶開 Push on 按第二下▶強制關閉 Push off	開啟on 關閉off	— 低速Low speed ○ 關閉off = 高速High speed	— 低速Low speed ○ 關閉off = 高速High speed	開啟on 關閉off

★風速TURBO鍵：按Turbo鍵時，左右馬達會以最高速運轉瞬間增強吸力，可應付大火快炒所產生之瞬間大量油煙。

Turbo Speed : When pressing the Turbo Speed button, the right and the left motor will operate in ultimate speed and can increase suction instantly.

★關閉左右風扇鍵或Turbo鍵後，按電熱除油鍵，即可啟動電熱除油功能15分鐘。

After turning off the RIGHT/LEFT BLADES switch or TURBO SPEED switch, press the HEAT button to start the heating and oil removal function for 15 minutes.

★電熱除油過程中，若要強制停止電熱除油，再按電熱除油鍵，即可關閉電熱除油功能。

During the heating process, if you want to forcefully stop the heating, press the HEAT button again to turn off the heating and oil removal function.

★若不小心連續按下電熱除油鍵二次，會啟動安全保護電子機板功能，待30秒後才能再次使用電熱除油功能。

If you accidentally press the HEAT button twice in succession, the safety protection electronic board function will be activated, and you must wait 30 seconds before you can use the heating and oil removal function again.

2. 集油盤及集油杯之裝拆 Installation and Dismantling of Round Oil Collector :

當集油盤（或集油杯）內所盛之油汁達八分滿，須將油汁倒掉並用清潔劑清洗，再裝回原固定位置。集油盤拆卸時只須將手撐住集油盤下端，逆時針轉動集油盤就脫離。裝回時只將集油盤順時針轉動，使油盤卡鉤鉤住油盤固定片為止即可。集油杯取出時只需用手將集油杯拉出來，裝回時將集油杯置之集油槽中，推入至底即可。
Empty dirty oil collectors when they are 4/5 full of oil. Pour dirty oil and clean collectors with detergent, then put it back to original position. To remove oil collector, just turn round oil collector in clockwise direction. When want to put it back, just need to turn oil collector by counterclockwise direction to make sure it has been inserted into the slot with bracket tighten together. To remove oil cup, just pull out oil cup when install back, put oil cup in the parking to push bottom side.

3. 本機可當排風機使用 This machine can be used as a ventilator :

本機不僅使用於排除廚房的油煙氣，平時亦可作排風機使用，調節並維持室內清新的空氣。

This machine can remove soot in the kitchen, but also can be used as a ventilator to indoor air circulation.

4. 清潔方法 Cleaning :

清潔時內外表面可用軟布沾中性清潔劑擦拭並用水淨抹，應避免刮花機體內外表面。清潔完成後，請按照上述相反步驟裝回零件。

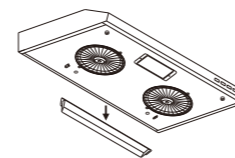
Use soft cloth to clean the inner and outer surface with soft liquid detergent and then rinse with water.

Avoid using a stiff brush, e.g. Metal brush may scrub the surface. After cleaning, assemble the parts in reverse procedures as above shown.

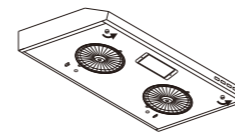
注意：清潔抽油煙機前應先關掉電源。請檢查底板上掛鉤與機體是否可靠連接，以策安全。

Caution: Make sure that the lower cover plate is securely hooked with the hood body.

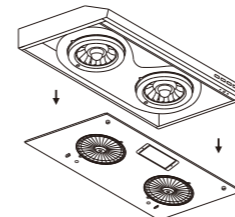
6 保養及清潔 Maintenance and Cleaning



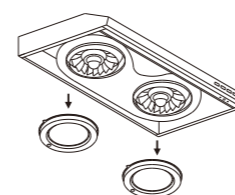
①鬆開螺絲及清洗風葉前請將電源插頭拔掉 / 切斷電源。
首先將油杯除下。
Turn off power supply / unplug before release the screws and cleaning of vanes.
First of all, remove the oil cups.



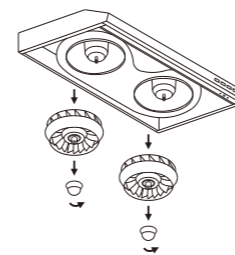
②將底盤上左右易拆螺絲扭開，雙手將底盤托住。（防止底盤從後滑落）
Release the dismantlement screws on the base plate side.



③雙手將底盤慢慢放下並向前拉出。（先右後左）
Release the base plate carefully by using both hands and pull forward to remove from right first.



④輕輕將油盤往箭頭方向轉動，然後鬆開。
Follow the arrow in order to pull down the oil collecting tray gently.



⑤先拆下風葉心，再取下風葉清洗。
Release the vane cover then remove vanes for cleaning.

★為發揮本機最佳性能，延長其使用壽命，應經常注意保養。

Good maintenance gives the best performance and prolongs the life of machine. Please maintain your machine periodically.

★保養維修時應將插頭拔掉，切斷電源！

Turn off power supply and unplug before maintenance.

(1)常保機體外部潔淨 Always keeps machine clean :

使用後用乾布或沾有中性清潔劑之抹布，擦拭機體外殼與底板，經常保持乾淨以維護其美觀及衛生。

After each use, please wipe machine housing and bottom cover plate with a dry cloth or a wet cloth with mild detergent. Always keeps machine clean in order to maintain appearance and sanitation.

(2)當集油杯內所盛油汁達八分滿須將油汁倒掉，以免有溢出的可能。（可參考章節五集油盤及集油杯之裝拆）
Empty dirty oil collectors when they are 4/5 full of oil, to avoid overflow. (Please refer installation and dismantling of round oil collector in chapter 5)

★特設自動安全斷路裝置 - 請注意清洗完畢需確保底盤已裝回正確位置及兩枚易拆螺絲已收緊，電源才會恢復。
Special Auto Safety Circuit Breaker - Make sure the base plate has been installed in correct position and two dismantlement screws are tightened after cleaning. Then the power supply will be restored.

★必須依指示清潔機身，否則有火警危險。

There is a fire risk if cleaning is not carried out in accordance with the instructions.

★定期保養清洗方法 Regular maintenance and cleaning:

1. 將保護網上的螺絲鬆脫，並除下保護網。

Loosen the screws on the vane guard and then remove the vane guard.

2. 將除油劑噴向風葉，待3-5分鐘讓除油劑有充分時間溶解扇葉上的油污。

Spray Grease Remover directly to the vanes and wait for 3-5 minutes to allow grease to dissolve.

3. 啟動風葉至少15分鐘，風葉所產生的離心力有助除油劑揮發，而油污亦會隨導油盤流入油杯內。

Switch on the range hood for at least 15 minutes to enable grease and dirt to be led into the oil collecting tray then oil cups.

4. 以上使用除油劑噴洗風葉之定期保養及清洗可隔1至2星期進行一次。

Use detergent to clean the vanes every 1 to 2 weeks.