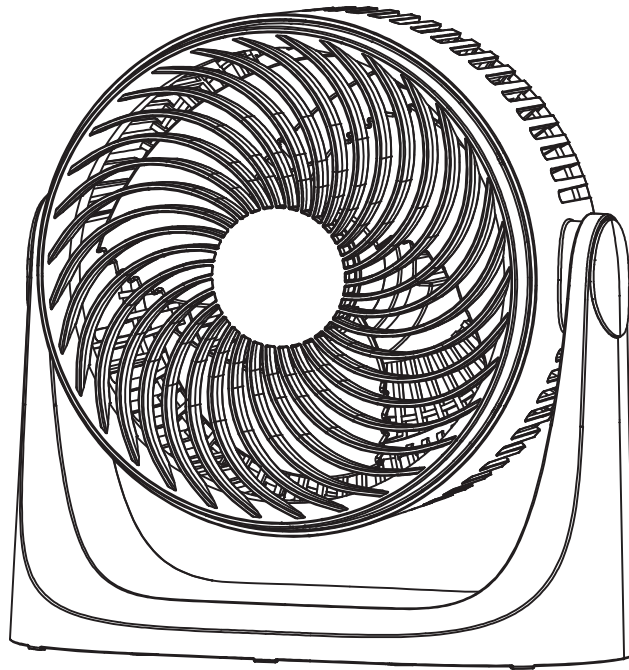




7" Circulation Fan

7 吋循環扇

OPERATION MANUAL 使用說明書



型號/MODEL:FCF-M7

僅適用於家庭使用 For Household Use Only

在使用本產品前，仔細閱讀本說明書，閱讀後小心收藏，以備日後查閱。

Please read the operation manual carefully before using and keep it in a safe place for future reference.

本說明書中的圖示可能有與實物不同的地方，僅供參考。

Some figures in the manual may not match with the real object, just for reference only.



## 目录

安全注意事項	1
清潔和儲存	2
產品部件名稱	2
功能介紹	3
產品規格	3
故障排除	4
特別聲明	4
售後服務	4

## CONTENTS

Important Safeguards	5
Cleaning and Storage	9
Product Parts	10
Function Introduction	10
Product Specifications	11
Troubleshooting	11
Special Avowal	12
After Sales Service	12

## 1. 安全注意事項 (務必詳細閱讀及遵守安全指導)

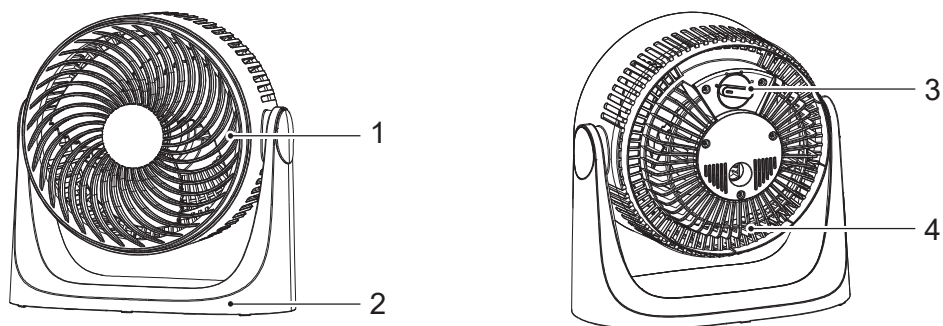
1. 務必嚴格遵守以下說明之注意事項以防止對使用者或其他人造成傷害或財物損失。
2. 用戶必須使用有安全認證的合格插座，否則，可能會引起火災的危險。
3. 本產品可供 8 歲以上兒童，肢體、感官、心智殘缺或缺乏經驗和知識的人使用，但他們必須已獲得監督和安全使用本產品的指導，並且瞭解其中的危害。兒童不應將本產品用於玩耍、清潔和保養，不得讓兒童在沒有監督的情況下實施。
4. 身體、感官或智力有障礙，或缺乏經驗和知識人士(包括兒童)不得使用本產品，除非有人對他們進行監督或指導。監督兒童不要玩耍本產品。
5. 拔掉電源線插頭時須緊握插頭，切勿拉扯電線。
6. 確保電源插頭完全插入插座，否則會引致觸電或插頭過熱而造成火災。
7. 要定期清除電源插頭及插座上之灰塵，否則引致絕緣不良而導致火災。
8. 若電源線有裸露或有損壞時，切勿使用本機。避免危險，必須交由信興電器服務中心有限公司維修。
9. 切勿過度擰捏，彎曲或扭轉電源線，否則線芯可能會曝露在外或折斷。
10. 嚴禁讓主機、電線及插頭沾水，否則會導致漏電、短路、產品損壞及導致火災的可能。
11. 為避免過熱，禁止覆蓋機體。
12. 切勿將物品放置在機體上。
13. 手濕時切勿接觸電源插頭，否則有觸電的危險。
14. 切勿讓手指或其他異物插入機體任何通風或排氣口，這可能會導致觸電、身體損傷、火災或損壞機體。
15. 不可用力敲擊或震動機身。
16. 切勿在陽光直射下使用本產品。
17. 電源線要擺放好，防止行走時絆倒。
18. 機器要放在平坦堅實的地面上使用。
19. 嚴禁在以下場所使用本產品: 接近氣體爐具/有易燃氣體的地方/有雨淋或容易被滴水的地方/接近殺蟲劑的地方/油性的腐蝕性溶劑附近/高溫的地方/潮濕的地方/在化學物品、油、多塵的地方。
20. 機體上方不可掛滴水的衣物或受到雨淋，避免進水發生漏電危險。嚴禁將易燃物及未乾的衣物覆蓋在機器出風口上，避免發生火災或觸電危險。
21. 切勿在產品周圍噴灑殺蟲劑及可燃性噴霧劑，否則可能使產品受損。
22. 為了安全起見，當人離開產品時，必須關機，以免發生意外事件。
23. 避免產品出風口長時間、直接向嬰幼兒吹風。
24. 產品清洗，檢修或移除網罩前必須先切斷電源並拔掉電源線插頭。
25. 清潔產品外殼時，應用濕布(或加點洗潔精)抹擦，不要有腐蝕性的洗滌劑或溶劑之類清潔，嚴禁用水沖(淋)洗。
26. 不可將本產品進、出風口貼近牆壁、窗簾等物品，否則會阻塞氣流，影響使用效果。

27. 本產品在使用一段時間後，若出現異聲或風速不均勻的現象，可能是後網罩的灰塵太多阻塞了氣流，此時用毛刷清潔一下後即可恢復正常。
28. 產品長期不使用時，應拔下電源插頭，包好本機防止灰塵進入機內，並放置乾燥通風處存放。

## 2. 清潔和儲存

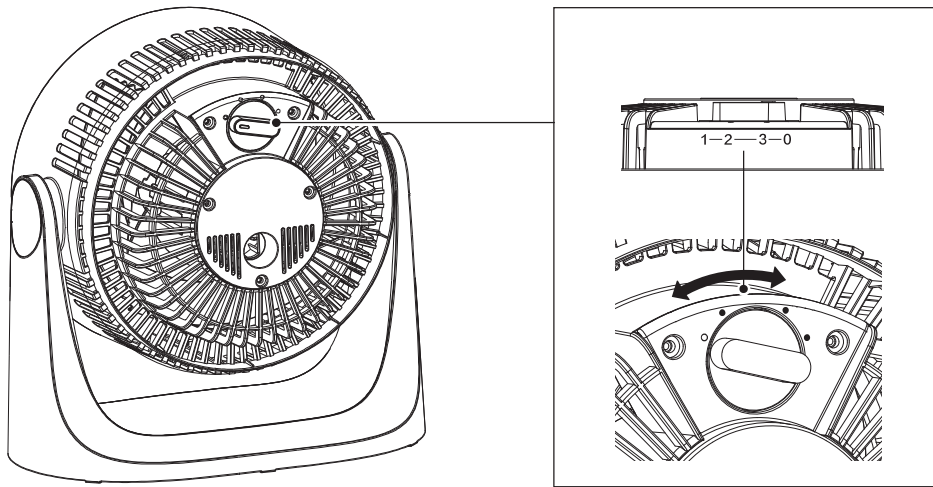
1. 清潔前必須先關閉產品及拔除電源插頭，必須待風扇完全停止轉動才可進行清潔，以免受傷。
2. 為確保產品摩打運作時空氣流暢，保持摩打後方的通風口處無塵。勿拆卸風扇進行除塵。
3. 用微濕的布清潔風扇表面即可。
4. 切勿將電源線、插頭或主機浸在水中清潔或在水龍頭下沖洗，風扇內部零件不可沾水。
5. 切勿使用鋼絲刷、汽油、火酒、醋或其他揮發、有毒或含腐蝕性液體清潔產品，以免損壞產品。
6. 清潔完畢後，必須待風扇表面完全乾燥才可使用。
7. 建議最少每個月清潔產品一次。
8. 儲存時，切勿將電源線纏繞在產品四周或壓住電源線，以免造成電源線損壞。
9. 如長時間不使用本產品，應將其收藏回包裝盒內並放置在乾燥陰涼且安全的地方。

## 3. 產品部件名稱



1. 前網罩	3. 旋鈕
2. 底座	4. 後網罩

## 4. 功能介紹



旋鈕	功能說明
0	關閉電源
1	低速運轉
2	中速運轉
3	高速運轉

## 5. 產品規格

產品型號	FCF-M7
額定電壓	220-240 伏特 ~ 50-60 赫茲
額定功率	28 瓦
產品尺寸 (闊×深×高) (約)	275 x 175 x 278 毫米
淨重 (約)	1.3 公斤

## 6. 故障排除

故障現象	原因	解決方法
產品不能運作。	1. 檢查是否已連接電源。 2. 檢查是否已打開電源開關。	1. 檢查插頭是否完好，以及是否完全插入電源插座。 2. 開啟產品後面的旋鈕開機。
產品運作途中突然停止。	1. 檢查是否電源插頭鬆脫。 2. 檢查是否進風口或出風口有堵塞。	1. 檢查插頭是否完好，以及是否完全插入電源插座。 2. 移走堵塞物。

\*如使用以上方法仍未能解決故障，立即停止使用，並聯絡信興電器服務中心有限公司進行檢查及維修。

## 7. 特別聲明

1. 本說明書的內容經過核對，如有任何印刷錯誤或內容上的誤解，本公司將保留解釋權。
2. 本產品若有技術改進，會編進新版說明書中，恕不另行通知；產品外觀及規格以廠方生產資料為準。
3. 使用說明書的電子副本可以經電子郵件發送至用戶，如有需要，可致電信興電工工程有限公司：2861 2767。

## 8. 售後服務

信興電工工程有限公司授權信興電器服務中心有限公司(“服務中心”)提供一年保修服務並由發票/換購收據上的日期起計。服務中心保留所有更改保修條款的權利，恕不另行通知，有關保修條款詳情，可參閱本公司網站。

## **1.Important Safeguards (Be sure to read carefully and follow these safety directions)**

- 1.Be sure to observe the following safety precautions in order to avoid possible injury to yourself or others and damage to your belongings.
- 2.The user must use qualified socket with safety certification, or it may cause fire.
- 3.This appliance can be used by children aged from 8 years and above and persons with reduced physical, sensory or mental capabilities or lack of experience and knowledge if they have been given supervision or instruction concerning use of the appliance in a safe way and understand the hazards involved. Children shall not play with the appliance. Cleaning and user maintenance shall not be made by children without supervision.
- 4.The appliance is not to be used by persons (including children) with reduced physical, sensory or mental capabilities, or lack of experience and knowledge, unless they have been given supervision or instruction. Children being supervised not to play

with the appliance.

5. Hold the plug when disconnect from the power supply, never pull the supply cord.
6. Make sure the plug is fully inserted into socket. Loose engagement of plug and socket may cause electric shock or fire due to overheating of the plug.
7. Wipe off dust on the plug and socket periodically. Accumulation of dust on plug may cause poor insulation and may result in fire.
8. Do not use the appliance if the power cord is exposed or damaged. To avoid danger, take the appliance to Shun Hing Electric Service Centre Ltd for repair.
9. Do not pinch, bend or twist the power cord excessively, otherwise the core may be exposed or broken.
10. Do not let the main body, power cord and plug contact with water. It may cause short circuit, appliance damage, fire and electric shock.
11. Do not cover the appliance in order to avoid overheating.
12. Do not put an object on the appliance body.
13. Never touch the appliance with wet hands to avoid

electric shock.

14. Do not allow fingers or other foreign objects to enter any ventilation or exhaust openings on the appliance. This may cause electric shock, physical injury, fire, or damage to the appliance.
15. Do not hit or vibrate the appliance body.
16. Do not use the appliance in the sunshine.
17. Put the power cord correctly in case trip over by the cord.
18. Put the appliance on the flat and stable ground when using the appliance.
19. Do not use the appliance under the following situation: Never gaseous fuel cooker/ Place full of inflammable gas/ Place expose to rain or water dripping/ Near insecticide/ Oil corrosive solvent/ High temperature/ High humidity/ Near chemistry, oil, dust area.
20. Do not let water drip into the appliance or hang wet clothes over the appliance so as to avoid current leakage and electric shock; Do not put flammable materials and wet clothes covered on the air outlet so as to avoid risk of fire or electric shock.

21. Do not spray insecticides or flammable sprays around the appliance, otherwise the appliance may be damaged.
22. Shut down the appliance before the user leaves the appliance so as to avoid accidents.
23. Avoid continuous exposure of direct wind from the appliance especially to infants and children.
24. Ensure that the appliance is switched off and unplugged before cleaning, maintenance and removing guard/ cover.
25. Clean the appliance by using a damp cloth or a damp cloth with some mild detergent, do not use corrosive detergent or solvent, do not pour water into the appliance.
26. Do not put the air intake and outlet of the appliance close to the wall or curtain, otherwise the air flow will be blocked and affect the appliance performance.
27. If it occurs problems of abnormal sound or uneven wind speed after using for a period of time, perhaps there is too much dust in the back guard and make the air flow blocked, the appliance could resume

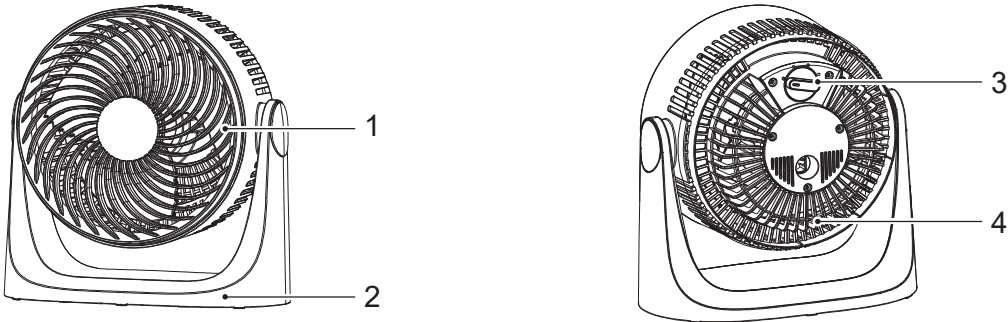
normal by cleaning the appliance with a brush.

28. Cut off the power if the appliance is not used for a long period of time. Pull out the plug, pack the appliance well to protect it away from dust and keep it in the dry, well-ventilated and clean place.

## 2. Cleaning and Storage

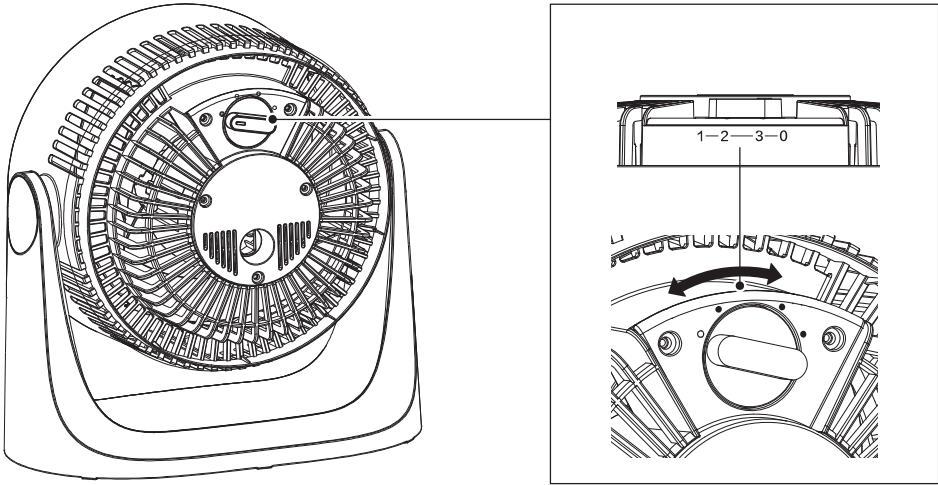
1. Before cleaning and maintaining the appliance, the appliance must be switch off and the power plug unplugged. The appliance must wait until it has completely stopped before cleaning to avoid injury.
2. To ensure adequate air circulation to the motor, keep vents at the rear of the motor free of dust. Do not disassemble the fan to remove dust.
3. Use a slightly damp cloth to clean the appliance surface.
4. Do not immerse the power cord, plug and the main body in water or rinse it under the tap. Keep the internal parts of the appliance away from water.
5. Do not use wire brush, gasoline, alcohol, vinegar, or other volatile, toxic or corrosive liquids to clean the appliance to avoid damage.
6. After cleaning, appliance surface must be dried up before use.
7. It is recommended to clean the appliance at least once a month.
8. When store, never wrap the power cord tightly around the appliance or put any pressure to the power cord so as to avoid power cord damage.
9. If the appliance will not be used for a long time, it should be stored back in the packaging and placed in a dry, cool and safety place.

### 3. Product Parts



1. Front Cover	3. Knob
2. Base	4. Back Guard

### 4. Function Introduction



Knob	Function
0	Power off
1	Low speed
2	Medium speed
3	High speed

## 5. Product Specifications

Model	FCF-M7
Rated voltage	220-240V ~ 50-60Hz
Rated power	28W
Product size (W x D x H) (approx.)	275 x 175 x 278mm
Net weight (approx.)	1.3kg

## 6. Troubleshooting

Problem	Reason	Solution
The appliance does not work.	<ol style="list-style-type: none"><li>1. Check if the power is connecting.</li><li>2. Check if the appliance is turn on.</li></ol>	<ol style="list-style-type: none"><li>1. Check if the plug is in good condition and fully inserted into the socket.</li><li>2. Turn on the appliance by turning on the knob at the back.</li></ol>
Appliance stops working suddenly.	<ol style="list-style-type: none"><li>1. Check if the power plug is loose.</li><li>2. Check if the air inlet or air outlet is blocking.</li></ol>	<ol style="list-style-type: none"><li>1. Check if the plug is in good condition and fully inserted into the socket.</li><li>2. Remove the blockages.</li></ol>

\*If the above solutions cannot fix the problem, stop using immediately and contact Shun Hing Electric Service Centre Ltd. to check and repair.

## **7. Special Avowal**

1. The information above has been checked; our company reserves the hermeneutic power to any print errors or misunderstanding on the content.
2. Please note that any technology improvement will be added to the new versions of operation manual without any prior notices. The appliance appearance and specification are subject to the actual appliance.
3. E-copy of operation manual can be sent by e-mail on request, please call Shun Hing Electric Works and Engineering Co., Ltd at 2861 2767.

## **8. After Sales Service**

Shun Hing Electric Works & Engineering Co., Ltd. authorizes Shun Hing Electric Service Centre Ltd. ( "SHESC" ) to offer one year warranty service to the appliance commencing from the date of purchase invoice or redemption voucher. SHESC reserves the right to change the warranty terms without prior notice. For details of the warranty terms, you can refer to our website.



SHUN HING GROUP  
信興集團  
SINCE 1953

### 信興電工工程有限公司

SHUN HING ELECTRIC WORKS AND ENGINEERING CO., LTD.

辦公室：香港九龍尖沙咀東部麼地道67號半島中心9樓

電話：2861 2767

圖文傳真：2865 6706

網址：<http://www.shew.com.hk>

電郵：[shew@shunhinggroup.com](mailto:shew@shunhinggroup.com)

Office: 9/F, Peninsula Centre, 67 Mody Road, Tsimshatsui East, Kowloon, H.K.

Tel: 2861 2767

Fax: 2865 6706

Website: <http://www.shew.com.hk>

E-mail: [shew@shunhinggroup.com](mailto:shew@shunhinggroup.com)

### 保養及維修 Maintenance and Repair Service:

信興電器服務中心有限公司

SHUN HING ELECTRIC SERVICE CENTRE LTD.

香港新界葵涌勝耀街2號信興中心11樓

電話：2406 5666

圖文傳真：2408 0316

網址：<http://www.shesc.com/zh>

11/F, Shun Hing Centre, 2 Shing Yiu Street, Kwai Chung, N.T. H.K.

Tel: 2406 5666

Fax: 2408 0316

Website: <http://www.shesc.com/en>

### 客戶服務中心

香港新界葵涌勝耀街2號信興中心1樓

九龍尖沙咀東部麼地道67號半島中心B座9樓

澳門慕拉士大馬路193-199號南嶺工業大廈5樓1座

### Customer Service Centre

1/F, Shun Hing Centre, 2 Shing Yiu Street, Kwai Chung, N.T.

9/F, Block B, Peninsula Centre, 67 Mody Road, Tsim Sha Tsui East, Kowloon

Avenida de Venceslau de Morais, No. 193-199, 5 andar - 1, Edf. Industrial Nam Leng, Macau

有關最新之香港及澳門客戶服務中心資料，參閱信興服務中心網址：<http://www.shesc.com/zh>

For the latest information of Hong Kong and Macau service centre, please visit <http://www.shesc.com/en>